

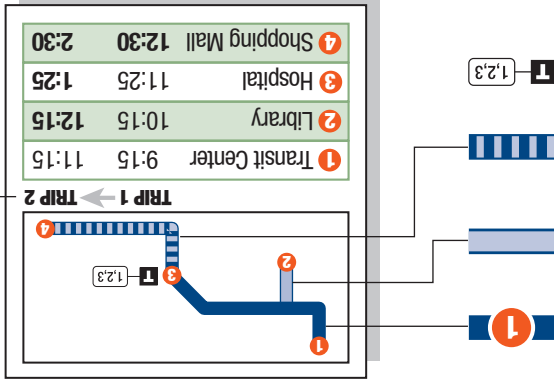
# INSTRUCTIONS

The bus stops at this location at listed times. Look for the matching symbol in the timetable.

Only certain trips operate along this portion of the route. See the schedule for trips that provide service here.

The bus operates express along this portion of the route.

Transfer point. Shows where this bus intersects with other routes that are available for transfer.



Bus trips are listed from left to right in the timetable. Light times are A.M.; bold times are P.M.

The bus travels to the locations listed from top to bottom of the timetable. The bus may stop between timepoints.

The timetable shows when the bus is scheduled to depart. Times are approximate and depend upon traffic and weather conditions. Arrive at the bus stop about 10 minutes early to avoid missing the bus.

## Riding MMVTA Buses

**Locating the Bus:** MMVTA bus stops signs and shelters are located throughout Mon Valley communities.

On Valley 1, 2, 3, 4, and Commuter A bus routes, not all stops are listed on the schedule.

On MMVTA express bus routes, the bus will stop only at the locations shown on the map or listed in the schedule. For more information about catching the bus contact the MMVTA.

**Transfers:** A transfer is available when a rider is changing routes to complete a trip. When boarding the first bus, riders are asked to tell the driver they are changing routes and then will be instructed to pay the fare amount associated with the full trip to their final destination. Riders will receive a TRANSFER SLIP for their next route. There is NO COST for a transfer.

## Holiday & Break Schedules

**MMVTA buses will not operate on the following:**

- New Year's Day • Easter • Memorial Day • July 4th
- Labor Day • Thanksgiving Day • Christmas Day

Valley 2 operates on a modified schedule during California University breaks. Cal Commuter does not operate during Winter, Spring or Summer breaks. See individual route for more info.

See individual route for more information or check [www.mmvta.com](http://www.mmvta.com) for updated announcements for services around the holidays.

## Your Rights Under Title VI & The Bus

The Mid Mon Valley Transit Authority (MMVTA) operates its programs and services without regard to race, color and national origin in accordance with Title VI of the Civil Rights Act. Any person who believes she or he has been aggrieved by any unlawful discriminatory practice under Title VI may file a complaint with the MMVTA.

For more information on MMVTA's civil rights program, and the procedures to file a complaint, call 724.489.0880, e-mail [customersupport@mmvta.com](mailto:customersupport@mmvta.com), visit [www.mmvta.com](http://www.mmvta.com) or visit the **MMVTA administration office at 1300 McKean Ave., Charleroi, PA 15022.**

A complainant may file a complaint directly with the Federal Transit Administration by filing a complaint with Office of Civil Rights, Attn.: Title VI Program Coordinator, East Bldg., 5th Floor-TCR, 1200 New Jersey Ave., SE, Washington, DC 20590.

If information is needed in another language, call MMVTA at 724.489.0880.

## BUS FARES & DISCOUNT PASSES

**Exact fare is necessary. (Our fareboxes do not issue change.)**

### ZONE 1

All 21 Mid Mon Valley Communities including Crookham/Finleyville to/from Pittsburgh

<b>Fare Type</b> .....	<b>Full Price</b> .....	<b>Reduced Fare*</b>
ONE way Fare .....	\$4.00.....	\$2.00
10 Trip Ticket Book.....	\$36.00.....	\$18.00
Monthly FLASH Pass.....	\$120.00.....	\$60.00

### ZONE 2

Allegheny County to/from Pittsburgh

<b>Fare Type</b> .....	<b>Full Price</b> .....	<b>Reduced Fare*</b>
ONE way Fare .....	\$3.00.....	\$1.50
10 Trip Ticket Book.....	\$27.00.....	\$13.50
Monthly FLASH Pass.....	\$90.00.....	\$45.00

### LOCAL TRIPS

ALL local trips, on any MMVTA route excluding trips ending or starting in Downtown Pittsburgh

<b>Fare Type</b> .....	<b>Full Price</b> .....	<b>Reduced Fare*</b>
ONE way Fare .....	\$2.00.....	\$1.00
10 Trip Ticket Book.....	\$18.00.....	\$9.00
Monthly FLASH Pass.....	\$64.00.....	\$32.00

### \*Reduced Fare Information

- Children (with guardian): Ages 5 and under ride free; Ages 6-12 ride ½ fare
- Persons 65+ ride free with a valid Free Transit Card
- Persons with disabilities and students ride ½ fare with valid Reduced Fare Cards or Medicare Cards
- California University faculty, staff and students ride free with valid Cal ID card.

# VALLEY 3

## SERVING:

- Monessen
- Donora
- Donora Highland Terrace
- Monongahela Valley Hospital
- Fisher Heights Giant Eagle



**724-489-0880**  
**[www.mmvta.com](http://www.mmvta.com)**

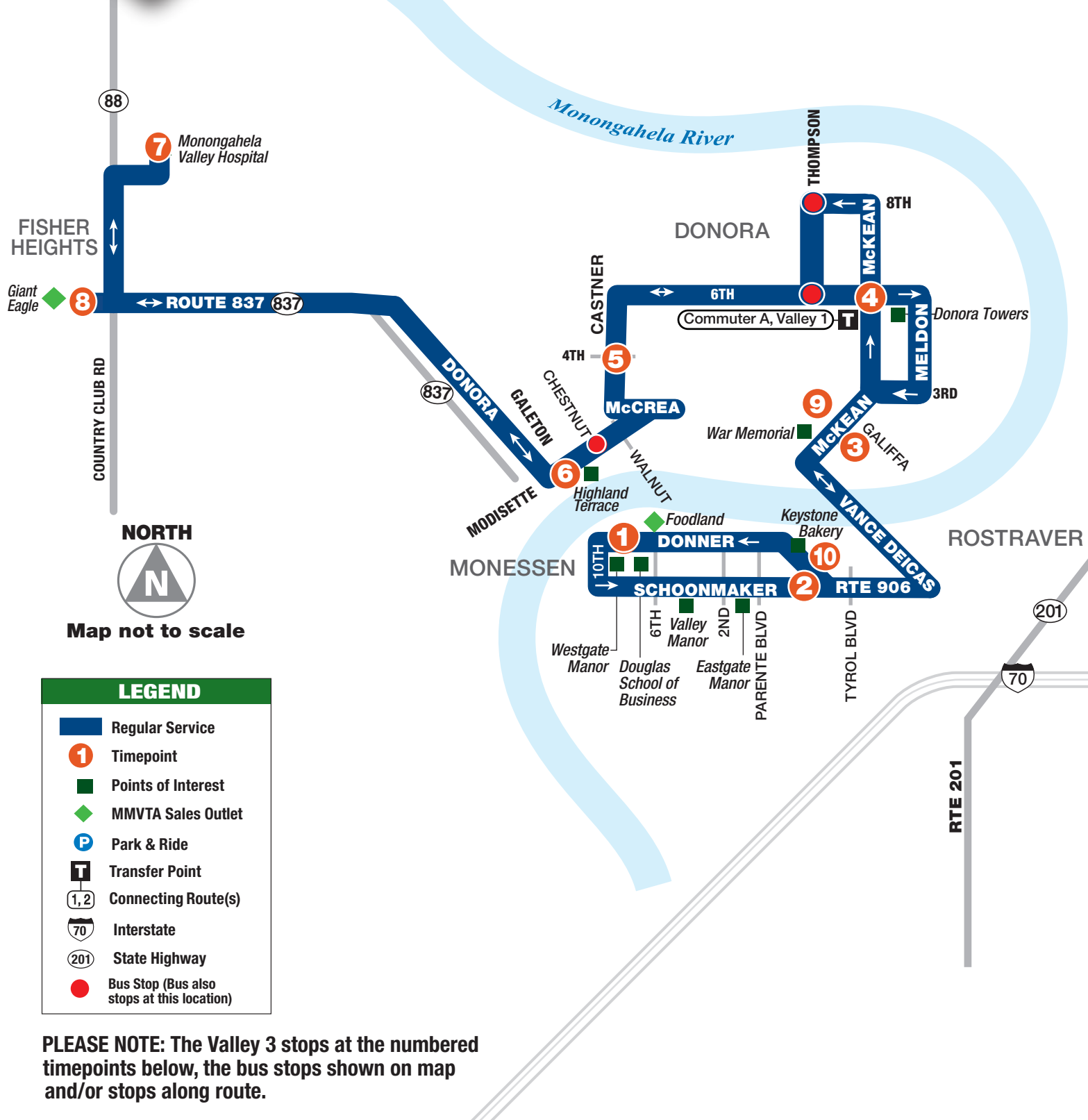
Effective: October 1, 2018



The Mid Mon Valley Transit Authority  
**1300 McKean Ave, Charleroi, PA**  
Office Hours: Mon.–Fri., 8:30am–4:30pm: **724.489.0880**  
After Hours Line: 724.379.5956, Press # 1  
Website: [www.mmvta.com](http://www.mmvta.com)

**Monessen • Donora • Fisher Heights • Monongahela Valley Hospital**

**VALLEY  
3**



**PLEASE NOTE:** The Valley 3 stops at the numbered timepoints below, the bus stops shown on map and/or stops along route.

<b>MONDAY-FRIDAY • From Monessen Toward Fisher Heights via Hospital</b>						
<b>TIMEPOINT</b>	<b>AM TRIPS</b>		<b>PM TRIPS</b>			
<b>1</b> Monessen: Civic Center	9:00	10:30	12:00	1:30	3:00	4:30
<b>2</b> Monessen: Exxon	9:05	10:35	12:05	1:35	3:05	4:35
<b>3</b> Donora: Opposite War Memorial	9:09	10:39	12:09	1:39	3:09	4:39
<b>4</b> Donora: McKean at 6th	9:12	10:42	12:12	1:42	3:12	4:42
<b>5</b> Donora: Castner at 4th	9:17	10:47	12:17	1:47	3:17	4:47
<b>6</b> Donora: Highland Terrace	9:22	10:52	12:22	1:52	3:22	4:52
<b>7</b> Monongahela: Mon Valley Hospital	9:32	11:02	12:32	2:02	3:32	5:02
<b>8</b> Fisher Heights: Giant Eagle	9:37	11:07	12:37	2:07	3:37	5:07

<b>MONDAY-FRIDAY • From Fisher Heights Toward Monessen via Hospital</b>						
<b>TIMEPOINT</b>	<b>AM TRIPS</b>		<b>PM TRIPS</b>			
<b>8</b> Fisher Heights: Giant Eagle	9:37	11:07	12:37	2:07	3:37	5:07
<b>7</b> Monongahela: Mon Valley Hospital	9:42	11:12	12:42	2:12	3:42	5:12
<b>6</b> Donora: Highland Terrace	9:52	11:22	12:52	2:22	3:52	5:22
<b>5</b> Donora: Castner at 4th	9:57	11:27	12:57	2:27	3:57	5:27
<b>4</b> Donora: 6th at McKean	10:01	11:31	1:01	2:31	4:01	5:31
<b>9</b> Donora: War Memorial	10:05	11:35	1:05	2:35	4:05	5:35
<b>10</b> Monessen: Keystone Bakery	10:09	11:39	1:09	2:39	4:09	5:39
<b>1</b> Monessen: Civic Center	10:14	11:44	1:14	2:44	4:14	5:44

**PLEASE NOTE:** The Valley 3 stops at the above numbered timepoints, the bus stops shown on map and/or bus stops along route.

Please call the Transit Center at 724.489.0880 for assistance with bus stop locations.